



necessarily match handing of Operator – refer to table within application drawing page, or contact Truth’s Technical Service Department for further information.

Optional brackets for unique profile applications are available – see Truth’s Stud Bracket & Track section, or contact Truth Hardware for further details.

#11576.XX – Track & Slider, or
#32384.92 – Low profile track

Optional Accessories:

#11329.XX Folding Handle
#41211.XX LH Nesting Cover
#41212.XX RH Nesting Cover
#31882 – Gasket
#31883 – Gasket Applicator
#23058.92 – Backplate (required for Rear Mount options)
#21306 – Protective red plastic spline cap.

MAXIM® DYAD OPERATOR



Drawings begin on pg. 25l.

- Designed for narrow windows, but will operate a frame width from 16" to 32", and up to 72" high and a sash weight of 55 lbs.
- Fits in all profiles currently using the EntryGard® or Encore® Dyad operators.
- Maxim Dyad provides over 7" of washability with the standard Maxim® 13" hinge and is compatible with Truth’s standard 10" hinge, with reduced washability.

ORDERING INFORMATION:

1. Specify “standard” or “coastal” package.
 2. Order item number:
#50.50 or
#50.51 (low profile) or
#50.52 (rear-mount)
 3. Specify finish number.
 4. specify right- or left-hand (determined by the side the hinge is on when viewed from the outside).
 5. Select mounting hardware (sold separately).
#12510.XX – LH Bracket
#12511.XX – RH Bracket, or
#11661.XX – LH Bracket (low profile)
#11662.XX – RH Bracket (low profile)
- NOTE:** Handing of Brackets does not necessarily match handing of Operator – refer to table within application drawing page, or contact Truth’s Technical Service Department for further information.

Optional brackets for unique profile applications are available – see Truth’s Stud Bracket & Track section, or contact Truth Hardware for further details.

Optional Accessories:

#11329.XX Folding Handle
#41211.XX LH Nesting Cover
#41212.XX RH Nesting
#31882 – Gasket
#31883 – Gasket Applicator
#23058.92 – Backplate (required for Rear Mount options)
#21306 – Protective red plastic spline cap.

MAXIM® REVERSE DYAD OPERATOR

Drawings begin on pg. 25r.



- Uniquely designed for narrow windows and specialty windows like round tops, half round, trapezoid, garden, octagon and windows that require Butt Hinges.
- Will work on frame widths down to a minimum of 12" depending upon the thickness of the frame.
- Uses a non-handed bracket which will help reduce inventory issues.

ORDERING INFORMATION:

1. Specify “standard” or “coastal” package.
2. Order item number:
#50.70 or
#50.71 (low profile) or
#50.72 (rear-mount)
3. Specify finish number.
4. specify right- or left-hand (determined by the side the hinge is on when viewed from the outside).
5. Select mounting hardware (sold separately).

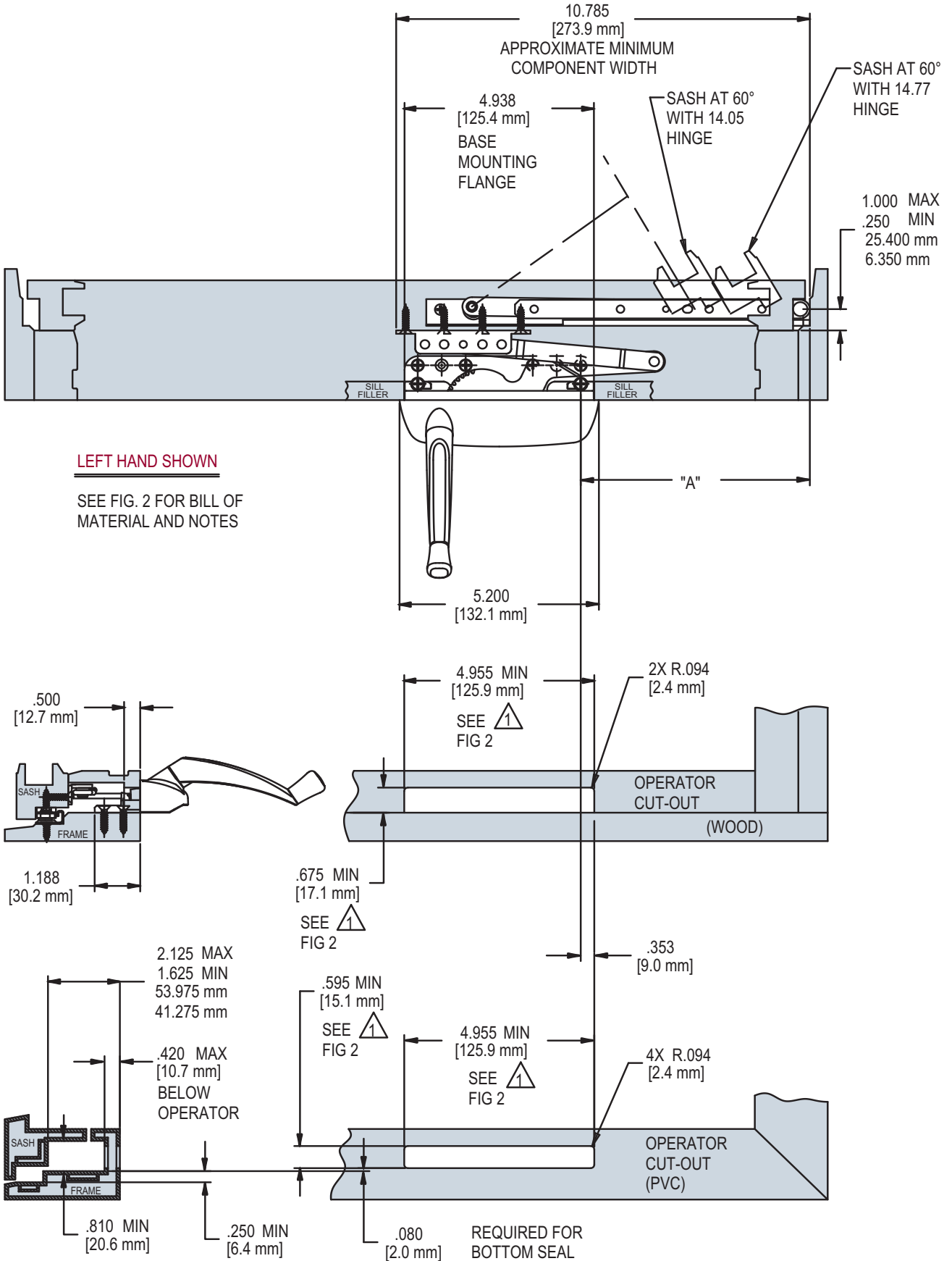
#11674.XX – Non-Handed Bracket

Optional brackets for unique profile applications are available – see Truth’s Stud Bracket & Track section, or contact Truth Hardware for further details.

Optional Accessories:

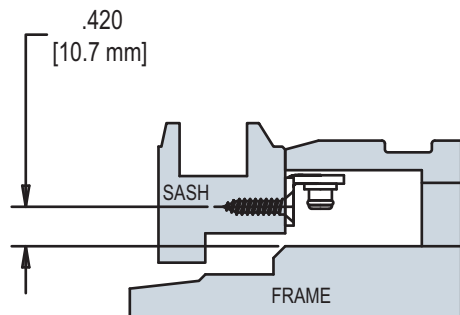
#11329.XX Folding Handle
#41211.XX LH Nesting Cover
#41212.XX RH Nesting Cover
#31882 – Gasket
#31883 – Gasket Applicator

FIG. 1 APPLICATION OF MAXIM REVERSE DYAD OPERATOR (SILL MOUNT VERSION)

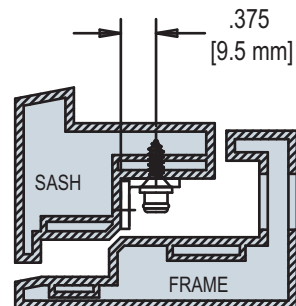


MAXIM® REVERSE DYAD OPERATORS (SILL MOUNT)

FIG. 2 APPLICATION OF MAXIM REVERSE DYAD OPERATOR (CONTINUED)
(SILL MOUNT VERSION)



11674.XX
BRACKET PLACEMENT



11674.XX
BRACKET PLACEMENT

HARDWARE SHOWN FOR LEFT HAND WINDOW, SEE FIG.1	
PART NUMBER	DESCRIPTION
50.70.XX.XXX	REVERSE DYAD OPERATOR
11674.XX	STUD BRACKET
14.05.00.XXX	HINGE
11454.XX	CONTOUR HANDLE
31882	GASKET (PVC)

HINGE	"A"
14.05.00.XXX	5.973 [151.7 mm]
14.77.00.XXX	5.532 [140.5 mm]

NOTES:


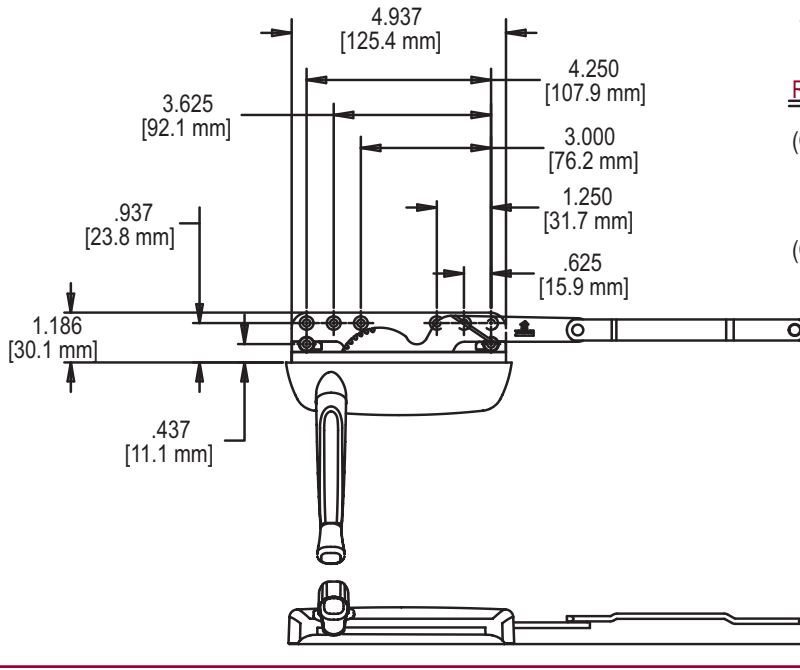
1.  HOLD THIS DIMENSION AS CLOSE TO THE MINIMUM AS MANUFACTURING TOLERANCES ALLOW. A CLOSE FITTING CUT-OUT HELPS TO STABILIZE THE OPERATOR AGAINST ROCKING
2. GASKET 32658 IS REQUIRED ON PVC AND METAL PROFILES FOR AN IMPROVED AIR AND WATER SEAL
3. HANDLE/COVER PACK IS OPPOSITE HAND ON ENCORE DYAD OPERATOR. EXAMPLE:
LH ENCORE REVERSE DYAD OPERATOR REQUIRES A RH HANDLE/COVER

FIG. 3 STANDARD MAXIM REVERSE DYAD OPERATOR (SILL MOUNT VERSION)



STAINLESS STEEL VERSION AVAILABLE

RECOMMENDED SCREWS:

(QTY 6)(PN 19240.XX)#8 X 1 FLAT HEAD SHEET METAL SCREW (SEE TRUTH TIPS FOR MORE INFORMATION)

(QTY 2)REAR MOUNT:8-32 X 3/8 PAN HEAD MACHINE SCREW PN 19545.XX

50.70.XX.011 LEFT HAND SHOWN

50.72 REAR MOUNT VERSION AVAILABLE

FIG. 4 MAXIM COVER 41211.XX/HANDLE 11329.XX (LH) (SHOWN)

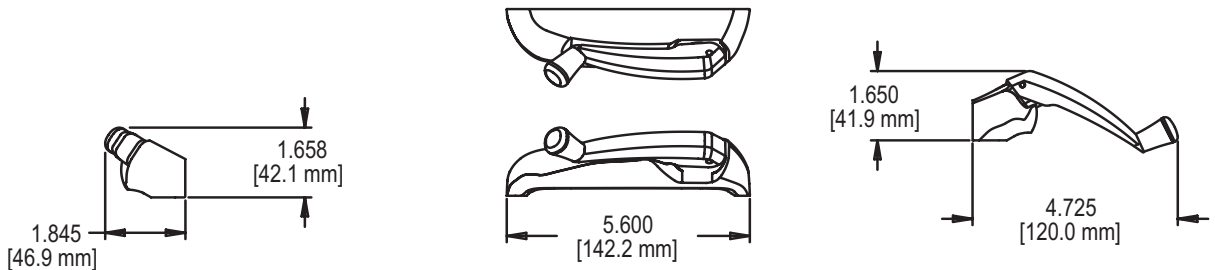


FIG. 5 BACK PLATE 23058.92

FOR USE WITH 50.72 REAR MOUNT VERSION ONLY

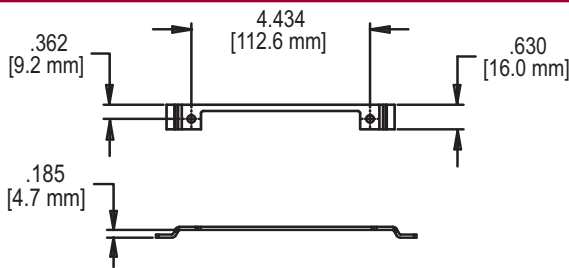


FIG. 6 STUD BRACKET 11674.XX (NON-HANDED)

STAINLESS STEEL VERSION AVAILABLE

RECOMMENDED SCREWS:

(QTY 4)(PN 19240.XX)#8 X 1 FLAT HEAD SHEET METAL SCREW (SEE TRUTH TIPS FOR MORE INFORMATION)

